



Technical Documentation

UGE Boardwalk Specifications

Document Number (s): UGE-BWK-SPC-002

Original Date: November 14, 2013

Revised On: -

Version: 1.0

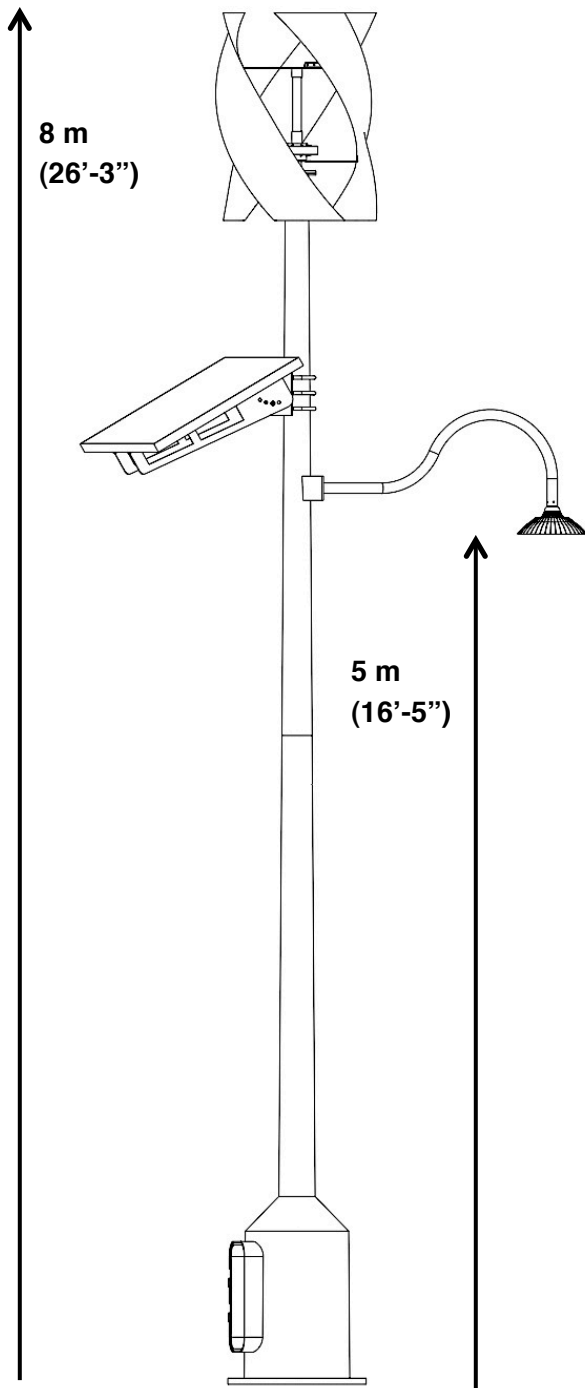
Completed by: JATG

Checked by: SVP

Please note that our documents are regularly updated. You may verify the validity of this document by visiting: www.urbangreenenergy.com/documents



UGE Boardwalk Streetlight Specifications



Wind Power	
Turbine Model	UGE-HoYi!
Rated Power Output	200 W
Rated Wind Speed	12 m/s [27 mph]
Survival Wind Speed	50 m/s [110 mph]

Solar Power	
Rated Power Output	140 W
Number of Panels	1
Dimensions	1482 x 676 x 50 mm [58.3 x 26.6 x 2.0 in]

Lighting	
Light Type	LED
Rated Power Output	38W
Rated Voltage Input	24 Vdc
Lumen Output	3000 lm
Dimensions	130 x Ø350 mm [5.1 x Ø13.8 in]
Lighting Compliance	Dark Sky Compliant

Electronics	
Controller Model	UGE-SYA-OGCH
Controller Output Voltage	24 Vdc
Recommended Battery Capacity	100 Ah

Tower	
Design features	Electronics enclosure
Height (with turbine)	8 m [26'-3"]
Enclosure Size	850 x Ø600 mm [33.5 x Ø23.6 in]