



Technical Documentation

UGE SANYA SLJ Specifications

Document Number (s): UGE-SLJ-SPC-001

Original Date: April 30, 2013

Revised On: -

Version: 1.0

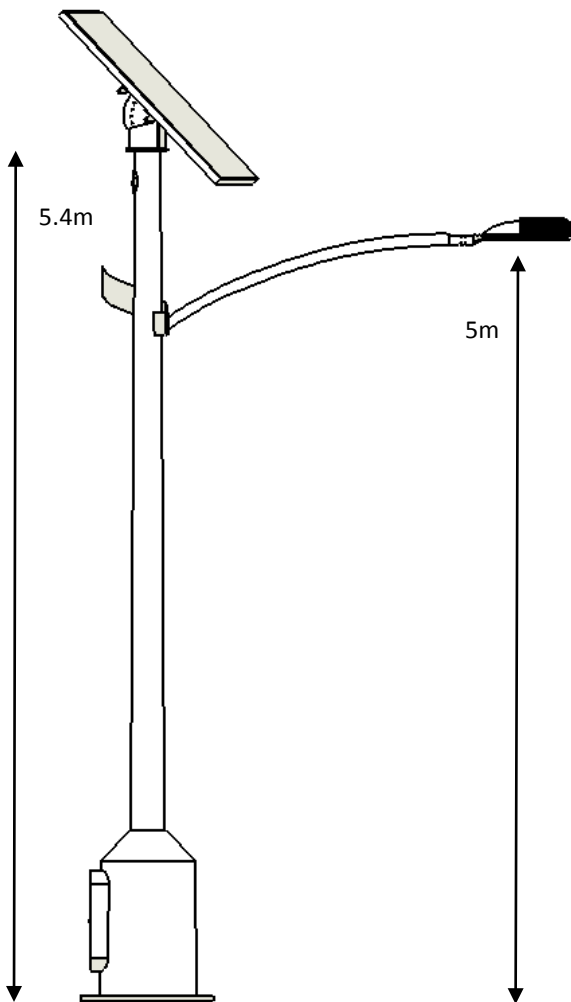
Completed by: JATG

Checked by: SVP

Please note that our documents are regularly updated. You may verify the validity of this document by visiting: www.urbangreenenergy.com/documents



UGE SANYA SLJ Street Light Specifications



Solar Power	
Rated Power Output	140 W
Number of Panels	1
Dimensions	1482 mm X 676 mm X 50mm / [58.3 in X 26.6 in X 2.0 in]

Lighting	
Light Type	LED
Rated Power Output	28 W
Rated Voltage Output	24 Vdc
Lumen Output	1669 lm
Dimensions	530 mm X 200 mm X 149 mm / [20.9 in X 7.9 in X 5.9 in]

Electronics	
Controller Model	UGE-SLN-OGCS
Controller Output Voltage	24 Vdc
Recommended Battery Capacity	100 Ah

Tower	
Design Feature	Electronics enclosure / Decorative sheet metal spiral
Tower Height	5.4 m / [17'-9"]
Enclosure Size	85 cm X Ø60 cm [33.5 in X Ø23.6 in]